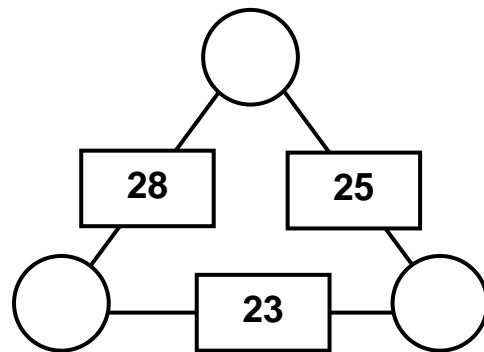
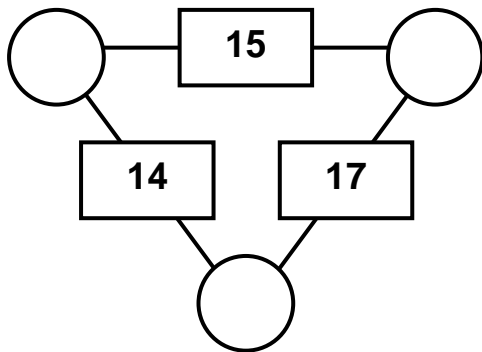
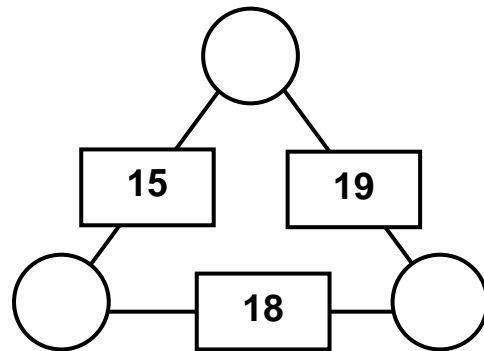
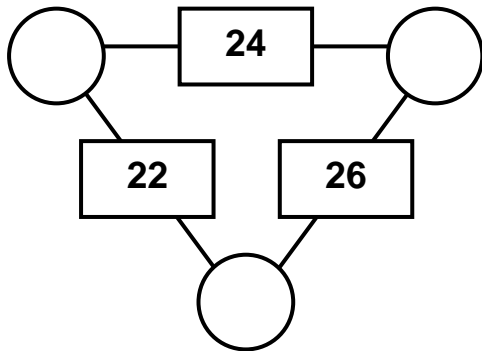


1. Here are some triangular grids. Put a number in each of the circles.
The numbers in the circles on either side of the rectangles must add up to the number in the rectangle.



2. The symbol @ represents a missing number. Write the missing numbers to make these statements true.

a) $23 \times 4@ = 1104$

b) $@@ \times 5@ = 3942$

c) $(@@)^2 = 79@@$

d) $(@@)^3 = 103\ 823$

3. In this question the letter **m** represents the same digit throughout the question.

$$mmm \times mm = 43\ 956$$

Mmm, I like that!



What digit does the letter **m** stand for?