



EXEMPLAR TEST

LEVEL

Key Skills – Level 1

PAPER

Application of Number

WHAT YOU NEED: THERE ARE 40 QUESTIONS IN THIS PAPER (TOTAL MARKS 40)

- this question booklet;
- an answer sheet;
- an HB pencil;
- a ruler and an eraser.

ADDITIONAL AIDS

- calculators may not be used.
 - bilingual dictionaries may be used.
-

TIME ALLOWED – 1 HOUR

To complete this activity successfully you will need to:

- read the information supplied in this question booklet;
 - use an HB pencil to complete all parts of the answer sheet.
-

Instructions to candidates

- Write your personal details in the spaces provided on the answer sheet.
- Do not open this question booklet until you are told to do so by the supervisor.
- Read each question carefully and attempt all questions.
- At the end of the assessment hand your question booklet, your answer sheet and all notes to the supervisor.

Question 1 and 2 are based on the information below

A business makes £6826 profit in April.

1

What is the profit to the nearest £10?

- A £6800
- B £6820
- C £6830
- D £6900

2

In May the profit is £6900 to the nearest £100 and £6910 to the nearest £10

Which of these amounts could be the profit in May?

- A £6900
- B £6904
- C £6905
- D £6915

Questions 3-5 are based on the information below.

Abdul is taking part in a sponsored walk

He uses a map with a scale of 5 cm to 1 km.

3

On the map, an actual distance of 15 kilometres is

- A 3 cm
- B 5 cm
- C 20 cm
- D 75 cm

4

The length of the walk is 15.6 kilometres.

Abdul wants to find what $\frac{3}{4}$ of the total distance is.

Which of these ways will give the correct result?

- A Find $15.6 \div 3 \div 4$
- B Find $15.6 \times 3 \div 4$
- C Find $15.6 \div 3 \times 4$
- D Find $15.6 \times 3 \times 4$

5

He walks the total distance of 15.6 km in 6 hours, including stops.

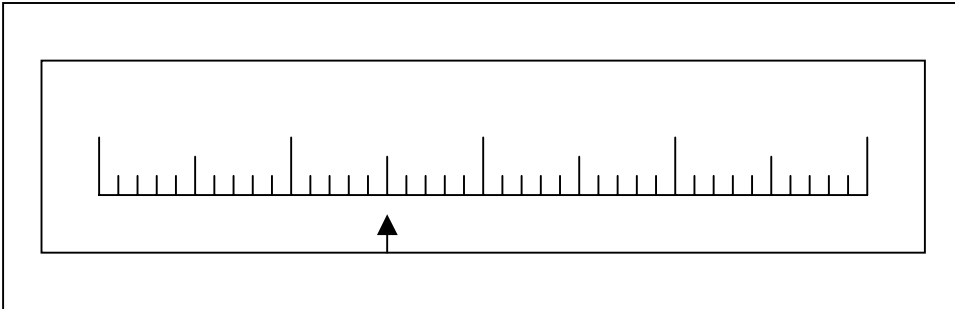
He works out 15.6 divided by 6 to find his overall speed in kilometres per hour.

His overall speed is

- A 2.06 kilometres per hour
- B 2.1 kilometres per hour
- C 2.5 kilometres per hour
- D 2.6 kilometres per hour

6

The scale below measure weights from 1 kg to 5 kg.



What weight is the arrow pointing at?

- A 2 kg 5g
- B 2 kg 15g
- C 2 kg 50g
- D 2 kg 500g

7

The answer to a calculation is 437. Sonia writes this as 440.

She is rounding the answer to the

- A nearest whole number
- B nearest even number
- C nearest ten
- D nearest hundred

Questions 8-9 are based on the information below.

The temperatures at noon on five days in January were

Monday	Tuesday	Wednesday	Thursday	Friday
6°C	6°C	3°C	2°C	3°C

8

What was the mean noon temperature for the five days?

- A 2°C
- B 3°C
- C 4°C
- D 6°C

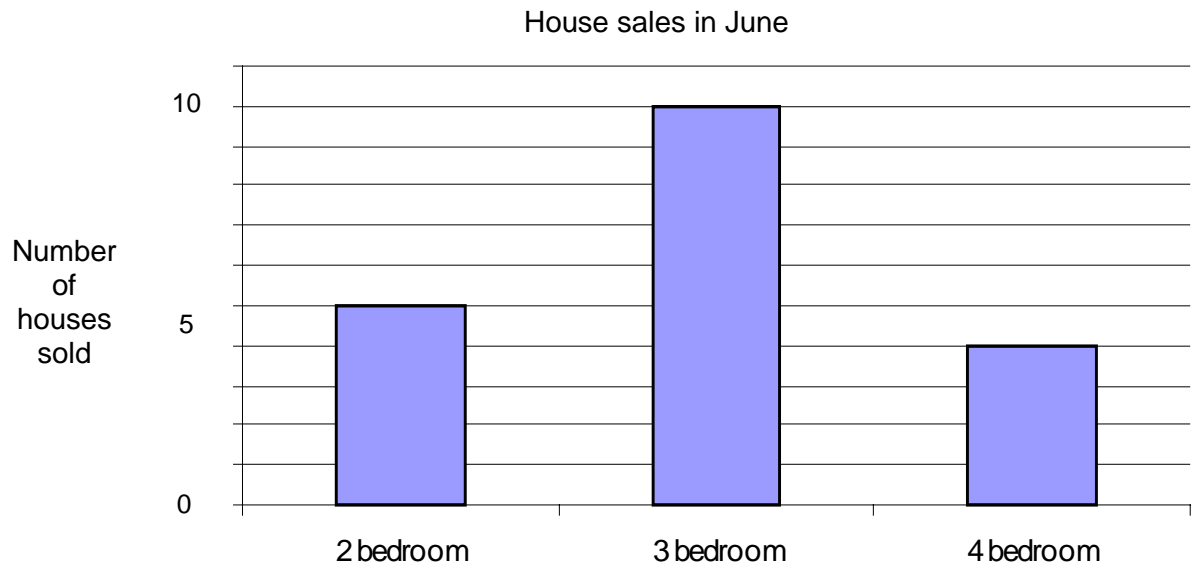
9

What was the range of temperatures?

- A 2°C
- B 4°C
- C 5°C
- D 6°C

10

An estate agent produced a diagram showing house sales in June.



What is wrong with the numbers on the left of his diagram?

- A 5 is too low
- B 5 is too high
- C 10 is too low
- D 10 is too high

Question 11 and 12 are based on the information below

Sonia is painting the walls in her offices.

A full tin of paint will cover 50m^2 of wall.

11

Sonia's tin is only 25% full.

How much wall can her tin cover?

- A 2m^2
- B 12.5m^2
- C 20m^2
- D 25m^2

12

Sonia needs to paint a further 40 m^2 of wall.

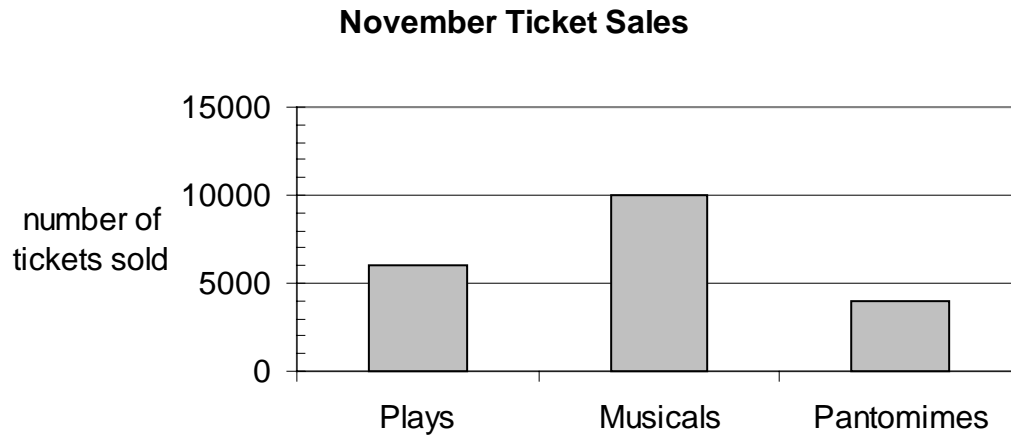
So she opens a new full tin.

What percentage of the tin will she need?

- A 40%
- B 50%
- C 75%
- D 80%

Questions 13-14 are based on the information below.

The bar chart shows tickets sold in November at a theatre.



13

What is the total number of tickets sold in November?

- A 19 000
- B 20 000
- C 21 000
- D 22 000

14

How many more tickets were sold for musicals than for plays?

- A 4000
- B 5000
- C 6000
- D 7000

Questions 15-16 are based on the information below.

First class stamps cost 26p each.

15

The correct way to write the total cost of buying 7 stamps is

- A 182
- B 18.2p
- C £1.82
- D £1.82p

16

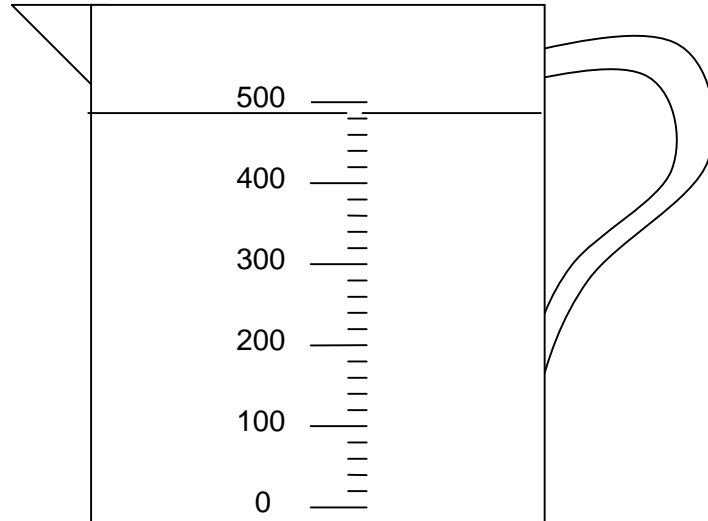
Paul buys 7 first class stamps with a £5 note.

What change should he get?

- A £3.18
- B £3.22
- C £4.18
- D £4.22

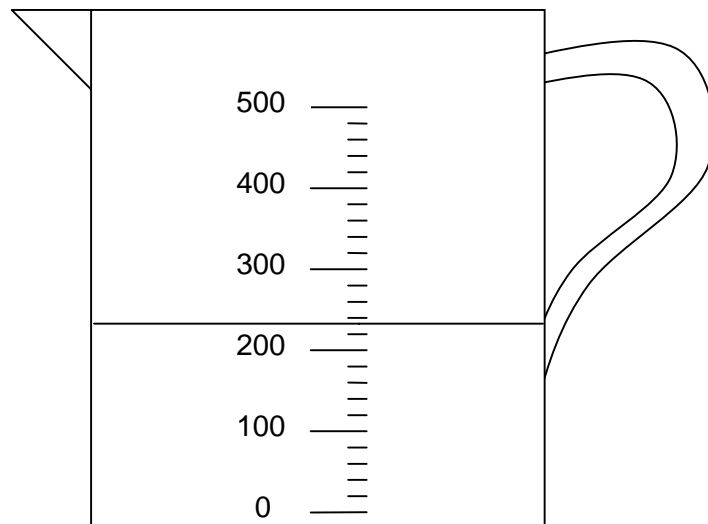
17

This measuring jug has 480ml of milk in it.



Chris pours out some of the milk.

This shows the level of the milk that is left in the jug

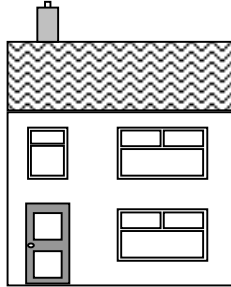


Roughly how much milk did Chris pour out?

- A 125 ml
- B 150 ml
- C 250 ml
- D 265 ml

Questions 18-19 are based on the information.

The picture shows the front view of a house, drawn to scale



On the drawing the house is 3 cm wide. The scale of the drawing is 1 cm to 2 m.

18

How wide is the house in metres?

- A 1.5 m
- B 3 m
- C 5 m
- D 6 m

19

Penny draws another house to the same scale.

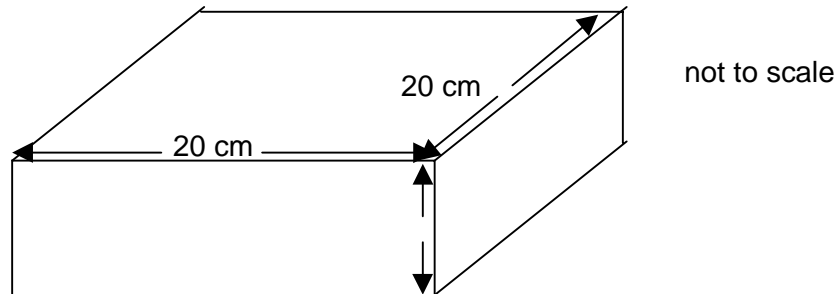
Penny's house is 8.2 metres wide

What is the width of Penny's house on her drawing?

- A 4.1 cm
- B 8.0 cm
- C 8.2 cm
- D 16.4 cm

Questions 20-21 are based on the information below.

Anne wants to fill this cake tin with cake mixture.



20

How does she work out the correct volume of the cake mixture?

- A Add 20, 20 and 6 together
- B Add 20, 20 and 6 together then multiply by 2
- C Multiply 20 by 2 then multiply by 6
- D Multiply 20 by 20 by 6

21

The units for measuring the volume of the cake mixture are

- A cm
- B m
- C cm^2
- D cm^3

Questions 22-24 are based on the information below.

Ken gets £45.00 for his birthday.

He decides to spend £30.00 on clothes and £15.00 on buying 4 CDs.

22

What fraction of his birthday present does Ken spend on clothes?

A $\frac{1}{5}$

B $\frac{1}{3}$

C $\frac{1}{2}$

D $\frac{2}{3}$

23

What percentage of his birthday present does Ken spend on CDs?

A 20%

B $33\frac{1}{3}\%$

C 50%

D $66\frac{2}{3}\%$

24

What is the cost of each CD?

A £3.00

B £3.75

C £7.50

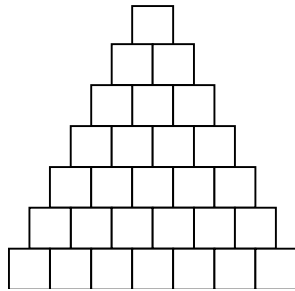
D £11.25

25

Paul works in a supermarket.

He makes this stack of tins for a display

His triangle-shaped stack is 7 layers high



Seven of the tins are taken from the stack.

Paul makes a smaller triangle-shaped stack with the tins that are left.

How high is his new stack?

- A 4 layers high
- B 5 layers high
- C 6 layers high
- D 7 layers high

26

Twenty thousand five hundred and six people went to a concert.

The number of people was

- A 2056
- B 2506
- C 20506
- D 205006

27

Measure the length of this line



The length is

- A $8\frac{1}{2}$ cm
- B 8.7 cm
- C 9 cm
- D 87 cm

28

Peter worked 5 hours on Tuesday and 3 hours on Wednesday.

He was paid £52.

How much was he paid for an hour's work?

- A £6.04
- B £6.40
- C £6.50
- D £10.20

29

Eighty people work in a nursing home.

20% of them work full time.

How many work full-time.

- A 16
- B 20
- C 25
- D 60

30

Ben worked out the following calculation.

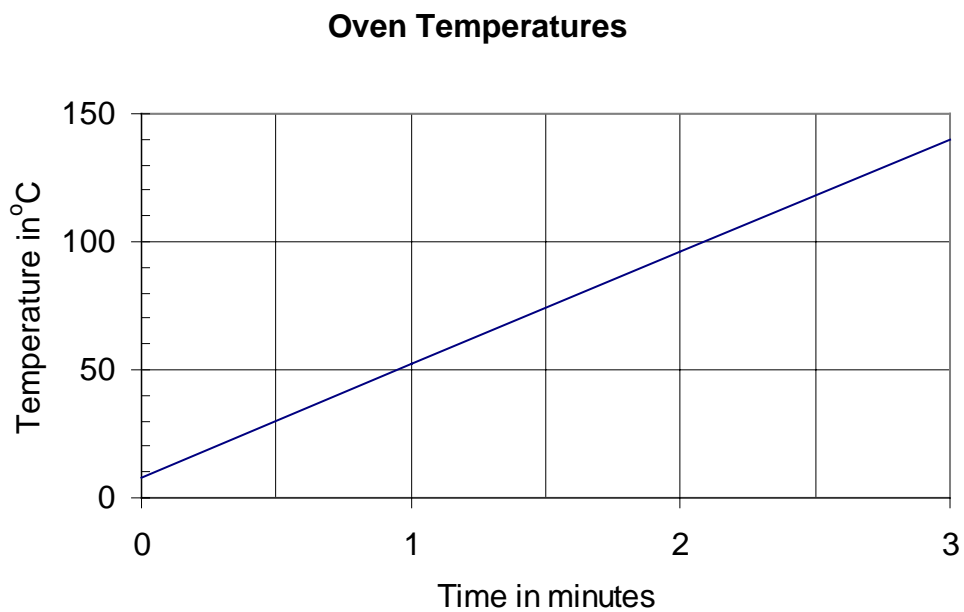
$$4269 \text{ mm} - 1094 \text{ mm} = 3175 \text{ mm}$$

Which of these could he use to check his answer?

- A $1094 + 4269$
- B $1094 + 3175$
- C $3175 - 1094$
- D $3175 + 4269$

31

The graph shows temperature in an oven.



The temperature in the oven after $1\frac{1}{2}$ minutes is given by one of the values below. Which value is correct?

- A 63°
- B 74°
- C 140°
- D 150°

32

The distance from Birmingham to Carlisle is 187 miles.

What is this to the nearest 10 miles?

- A 180 miles
- B 185 miles
- C 190 miles
- D 200 miles

33

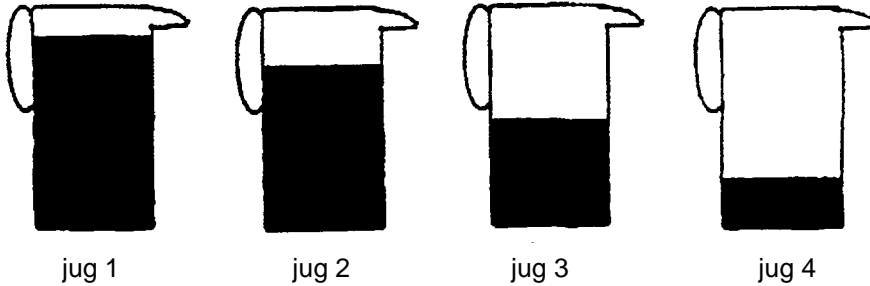
To make concrete, Chris mixes 6 parts of gravel with 1 part of cement.

How much cement does she need to mix with 120 kg of gravel?

- A 6 kg
- B 7 kg
- C 20 kg
- D 720 kg

Questions 34-35 are based on the information below.

The diagram shows four jugs with coffee in them.



34

Which jug is $\frac{1}{4}$ full.

- A Jug 1
- B Jug 2
- C Jug 3
- D Jug 4

35

When it is full of coffee, a jug holds enough coffee to fill 15 cups. When the jug is 40% full of coffee, how many cups will it fill?

- A 4
- B 5
- C 6
- D 7

36

Chris works out $\text{£}324 - \text{£}35$ in her head.

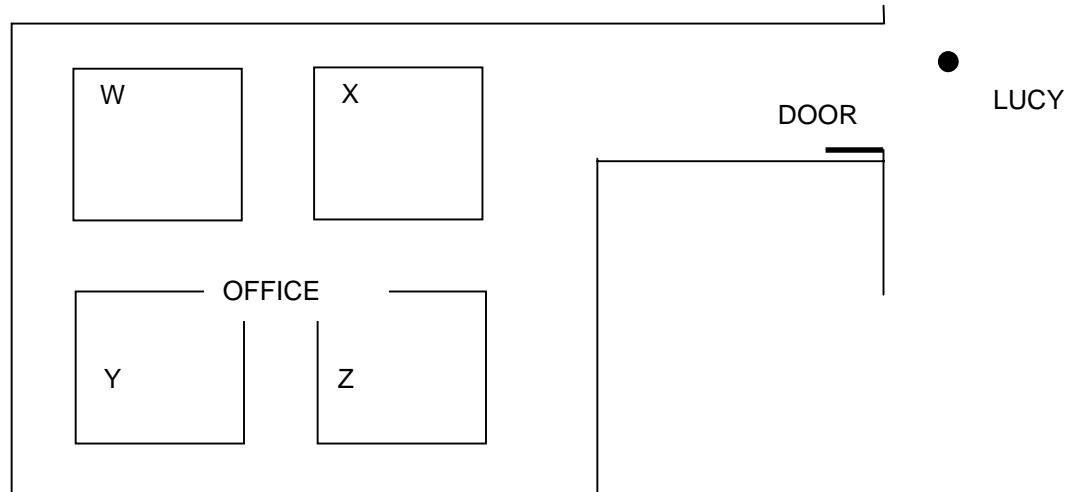
She gets $\text{£}289$.

Which of these can she use to check her answer?

- A $35 + 324$
- B $289 + 35$
- C $289 + 324$
- D $324 + 35 + 289$

37

There are four desks in an office. Here is a plan of the office layout, looking down from above.



Lucy is standing outside the office, looking in.

What does she see?

- A Y in front of W
- B Z in front of X
- C W in front of Z
- D X in front of W

38

Jo buys 3 sketch pads costing £2.75 each.

She pays with a £10 note.

How much change should she get?

- A £1.75
- B £2.25
- C £2.75
- D £8.25

39

A noticeboard has to have an area of 9 square feet.

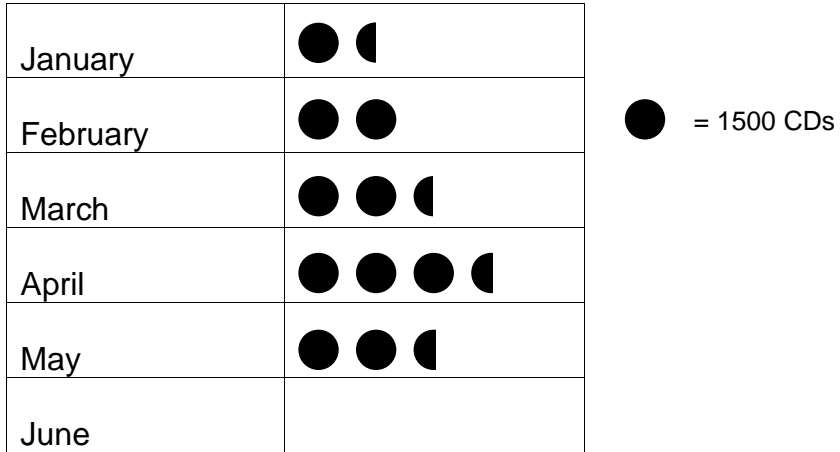
The noticeboard is a rectangle, $1\frac{1}{2}$ feet from top to bottom.

How wide is it?

- A 6 feet
- B $7\frac{1}{2}$ feet
- C 9 feet
- D $13\frac{1}{2}$ feet

40

The diagram shows the sales of CDs in a music shop.



3 000 CDs were sold in June.

How is this shown?

- A ● ●
- B ● ● ◐
- C ● ● ●
- D ● ● ● ● ● ●

END